

KFV Karl Fliether GmbH & Co. KG
Siemensstraße 10 · D-42551 Velbert
Phone: 0 20 51 /278-0
Fax Sales Germany: 0 20 51/ 278-167
Fax Sales Overseas: +49 (0) 20 51/ 278-33
info@kfv.de · www.kfv.de

A company of the SIEGENIA-AUBI Group.
www.siegenia-aubi.com



Multi-point locks with hooks

AS 2500 / AS 9500
AS 2504 / AS 9504

Trust KFV when looking for the right locking system. Our multi-point lock system with hook's will secure you against forced entry with corresponding tools due to its three locking points.

Security overview:

The massive tapered steel hooks protect against forced separation of frame and door. The gear drive pulls the door tightly to the frame and achieves an optimal tight fit.

- Tapered steel hooks protect against forced entry
- Annealed steel elements for enhanced solidity
- Anti-Sawing protected main lock case deadbolt
- Powerful drive gear provides highly effective sealing



Benefits:

- Best possible finish and high-quality parts guarantee a high durability and easy operation.
- The multi-point locking system can be used with forced entry approved profile cylinders.
- The locking system is extremely durable and suitable for long and intensive use.
- The patented technology guarantees an optimal fit of the door within the frame.



The benefits for your customers:

- Steel hooks help prevent forced entry.
- The gear driven hooks will pull the door tightly closed and prevents draft.
- The tightly sealed door provides noise protection.
- The smooth drive gear ensures easiest operation.
- The optimal tightness of the door improves heat insulation.

Usage areas for steel hooks:

- Main entrance doors
- Basement and side entrance doors
- Front doors in apartment buildings

Multi-point locks with hooks can also be used in several other areas: e.g. to protect against distortion of wooden and PVC doors in particular with doors in high or exposed areas.

Please note: For optimal protection use additional accessories and forced entry approved profile cylinders.



AS 2500 / AS 9500

Multi-point lock with main lock and 2 hooks

Article no.	Face plate	Dimensions
F 16		16 x 3 mm
F 20		20 x 3 mm
F 24		24 x 3 mm
P 6/22		6 x 22 x 6 x 2 mm
P 6/24		6 x 24 x 6 x 2 mm

The material thickness for stainless steel face plates (F) is 2.5 mm.

Distance	Backset
	AS 2500
	- - 35 40 45 50 55 - 65 70 80 100
	AS 9500
	25 30 - - - - - - - - - -
	10 15 20 20 20 20 - 20 20 20 20
	8 mm, 10 mm

Finish	A	B	C	G	I	K
B001	2170	760	730	1020	290	130
B002	2170	760	730	1050	260	160
B003*	2400	760	980	1020	270	130
B004*	2400	760	980	1050	240	160
B298	2170	760	605	1020	415	130
B327	2170	760	605	1050	385	160

* Except P 6/22 All dimensions are in mm.

AS 2504 / AS 9504

Multi-point lock with main lock and 4 hooks

Article no.	Face plate	Dimensions
F 16		16 x 3 mm
F 20		20 x 3 mm
P 6/24		6 x 24 x 6 x 2 mm

The material thickness for stainless steel face plates (F) is 2.5 mm.

Distance	Backset
	AS 2504
	- - 35 40 45 - - - - - -
	AS 9504
	25 30 - - - - - - - - - -
	10 15 20 20 20 - - - - - -
	8 mm, 10 mm

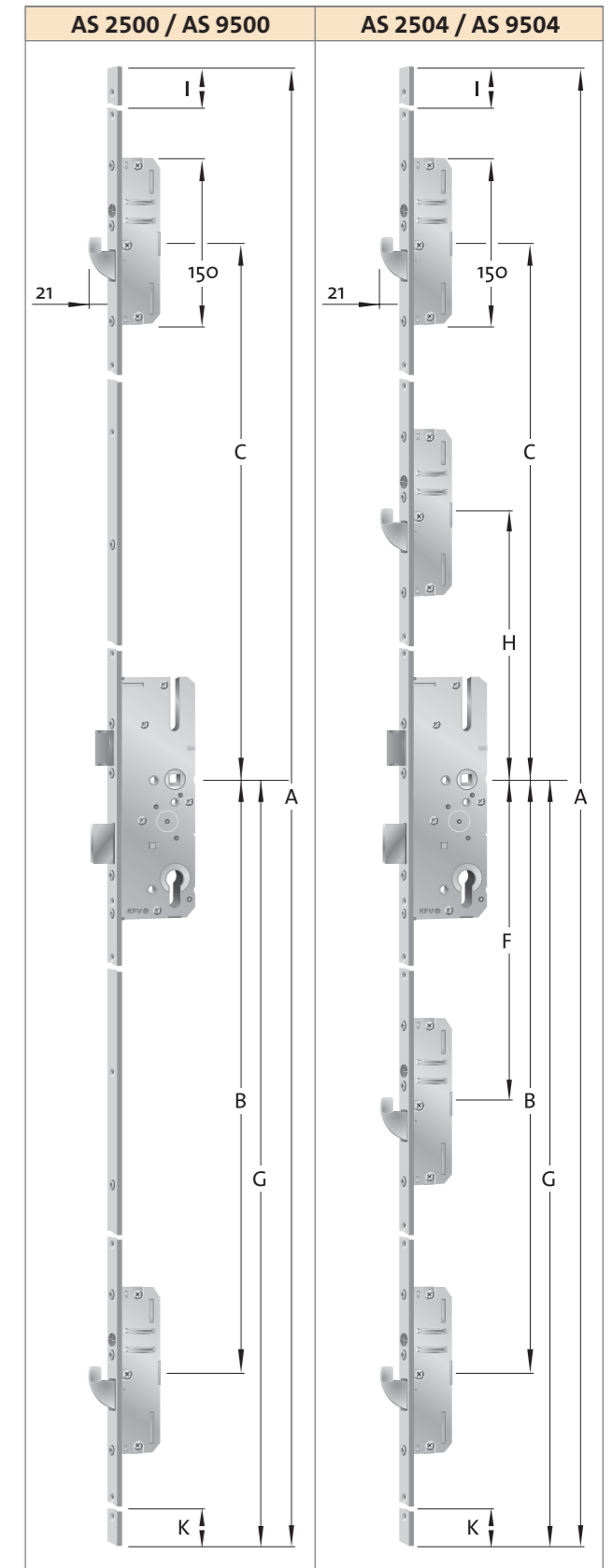
Finish	A	B	C	F	G	H	I	K
B001	2170	760	730	385	1020	355	290	130
B003	2400	760	980	385	1020	480	270	130
B303	2170	885	605	510	1020	355	415	5

All dimensions are in mm.

Available face plate surfaces:

AS 2500 and AS 9500 = light galvanized, old silver colour 0125-, silver colour RAL 9006-, silver colour RAL 9007-, white RAL 9016 PVC coated, satin stainless steel finish.

AS 2504 and AS 9504 = light galvanized, satin stainless steel finish



Main lock enclosure AS 2500/2504

Height: 210 mm
Thickness: 16 mm

Rear backset: for 35 - 50 mm backset 17.5 mm for 55 - 100 mm backset 23.5 mm

Main lock enclosure AS 9500/9504

Height: 198 mm
Thickness: 16 mm

Rear backset (center of spindle to rear of lockcase): for 25 - 30 mm Backset 17.5 mm