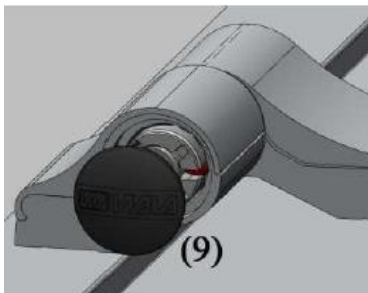
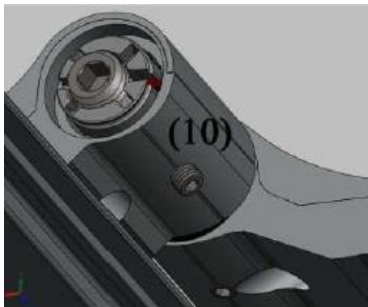


ALUPROF MB 78EI DOOR - HINGE ADJUSTMENT

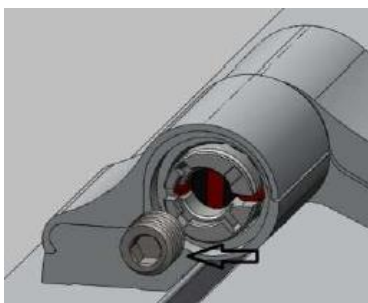
1. Compression adjustment:



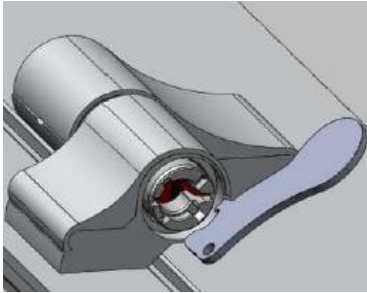
Remove the cover cap (9) using flat screwdriver to lift it



With the door open loosen the height adjustment grub screw M6x5 (10)



Unscrew the height adjustment grub screw M12 completely



Use adjustment tools:



“WALA” key

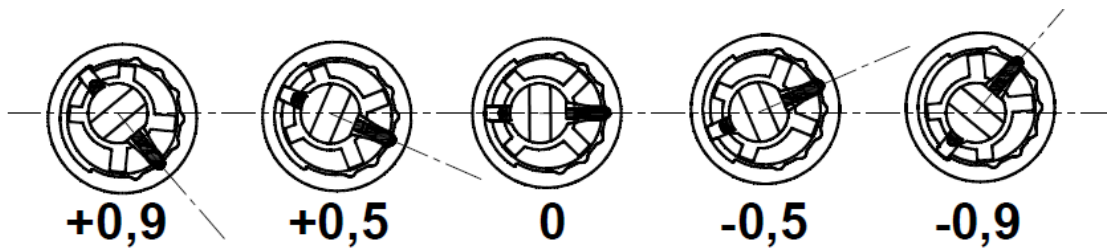


Washer 30ø




Flat screwdriver 15mm

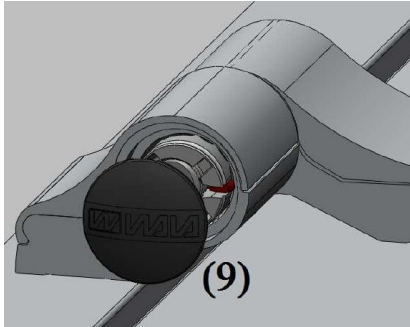
Possible adjustment settings:



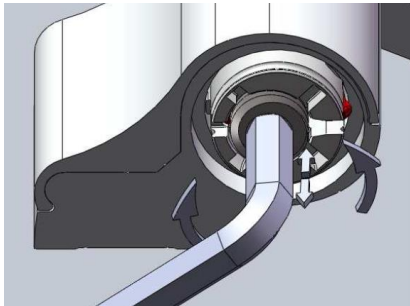
After adjusting:

- Fit the hinge adjustment grub screw M12 until light resistance is felt
- Tighten the hinge adjustment grub screw M6x5 (10) 
- Fit the bottom cover cap (9)

2. Vertical adjustment:



Remove the bottom cover cap (9) (by lifting with flat screwdriver)



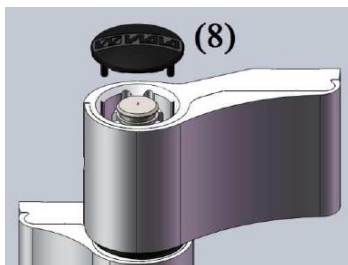
Use the M12 Allen bolt to adjust vertical position of the door (+4mm)

After adjusting the hinge:

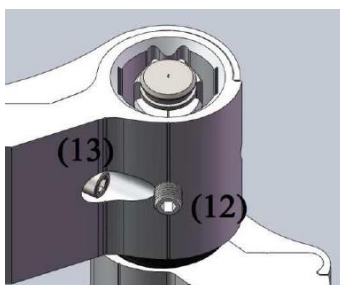
- fit the height hinge adjustment grub screw M6x5 (10)
- Replace the bottom cover cap (9)
- Fit the cover strips
- Re-tighten fixing bolt M4 (13)
- Replace the top cover cap (8)





3. Horizontal adjustment:

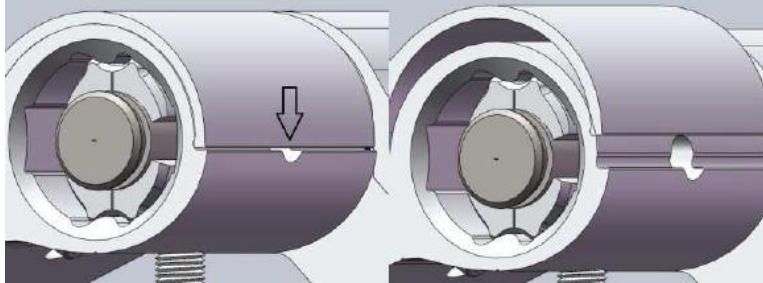


Remove the top cover cap (8) by lifting with flat screwdriver

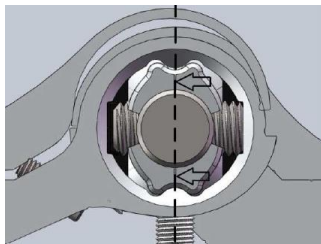


With the door open loosen the cover plate fixing bolt M4

(13)  and the hinge grub screw M6x5 (12) 

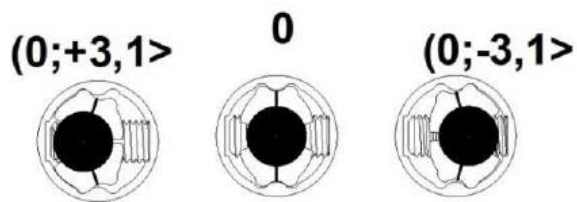


Lift up the cover strip with a flat screwdriver to reveal the adjustment hole



The hinge is in "0" position when markers are in straight line lining up with the centre line

Range of adjustment



After adjustment:

- Retighten grub screw M6x5 (12)
- Replace cover strips
- Retighten the fixing bolt M4 (13)

Replace the top cover